

JOB NO.	
DRAWN BY	CMH
CHECKED BY	CMH
DATE	4-22-2010
REVISIONS	
6-30-2010	
8-2-10	

PLUMBING GENERAL NOTES

- 1.) DO NOT SCALE DRAWINGS. SEE ARCHITECTURAL DRAWINGS FOR LOCATION OF DOORS, WINDOWS, PLUMBING FIXTURES, ETC.
- 2.) ALL PIPING SHALL BE CO-ORDINATED WITH THE WORK PERFORMED UNDER OTHER TRADES TO AVOID INTERFERENCE.
- 3.) ALL PIPING, VENTS, ETC. EXTENDING THROUGH THE WALL AND / OR ROOF SHALL BE FLASHED AND COUNTER FLASHED IN A WATERPROOF MANNER.
- 4.) ALL DESIGNATED PIPING INSULATION SHALL RUN CONTINUOUSLY THROUGH FLOOR, WALLS, AND PARTITIONS.
- 5.) PLUMBING CONTRACTOR SHALL VERIFY ALL EXISTING CONDITIONS ON JOB SITE.
- 6.) VERIFY ALL ROUTING OR ALL WORK ON JOB SITE.
- 7.) IT IS THE INTENTION OF THESE DRAWINGS TO COVER ALL WORK FOR A COMPLETE AND FUNCTIONAL PLUMBING SYSTEM FOR THE STRUCTURE. ALL WORK MUST BE INSTALLED IN ACCORDANCE WITH ALL APPLICABLE NATIONAL, STATE AND LOCAL CODES. ALL NECESSARY CONNECTIONS AND EQUIPMENT SHALL PROVIDE A FUNCTIONAL AND OPERABLE PLUMBING SYSTEM.
- 8.) BLANK
- 9.) MATERIALS AND INSTALLATION SHALL BE IN STRICT ACCORDANCE WITH NORTH CAROLINA PLUMBING CODE.
- 10.) ALL DOMESTIC WATER PIPING WITHIN THE EXTERIOR WALLS OR IN THE ATTIC SPACE SHALL BE INSULATED ON THE UNFINISHED SPACE SIDE OF THE BUILDING INSULATION, AND IN ACCORDANCE WITH NOTE #4.
- 11.) WALL HYDRANTS SHALL BE MOUNTED 24" ABOVE THE FINISHED GRADE UNLESS OTHERWISE NOTED.
- 12.) PERFORM ALL EXCAVATION AND BACKFILLING NECESSARY FOR INSTALLATION OF SYSTEMS IN ACCORDANCE WITH STANDARD BUILDING PRACTICE.
- 13.) PROVIDE HANGARS AND SUPPORTS FOR ALL SYSTEMS AS REQUIRED BY CODE.
- 14.) ALTERNATE FIXTURES AND /OR MATERIALS TO THOSE ITEMS SPECIFIED WILL BE ACCEPTED FOR CONSIDERATION.
- 14.) PLUMBING CONTRACTOR TO VERIFY LOCAL BACKFLOW PREVENTION REQUIREMENTS WITH LOCAL BUILDING INSPECTIONS OFFICIALS. PLUMBER TO PROVIDE EQUIP. AND INSTALLATION AS NECESSARY TO MEET LOCAL BACKFLOW REQUIREMENTS.

NOTE:
ALL FLOOR PENETRATIONS (RIBB TRAYS) SHALL COMPLY WITH UL DESIGN #4448 EQUAL TOP & BOTTOM PLATE (UL DESIGN) FC2007

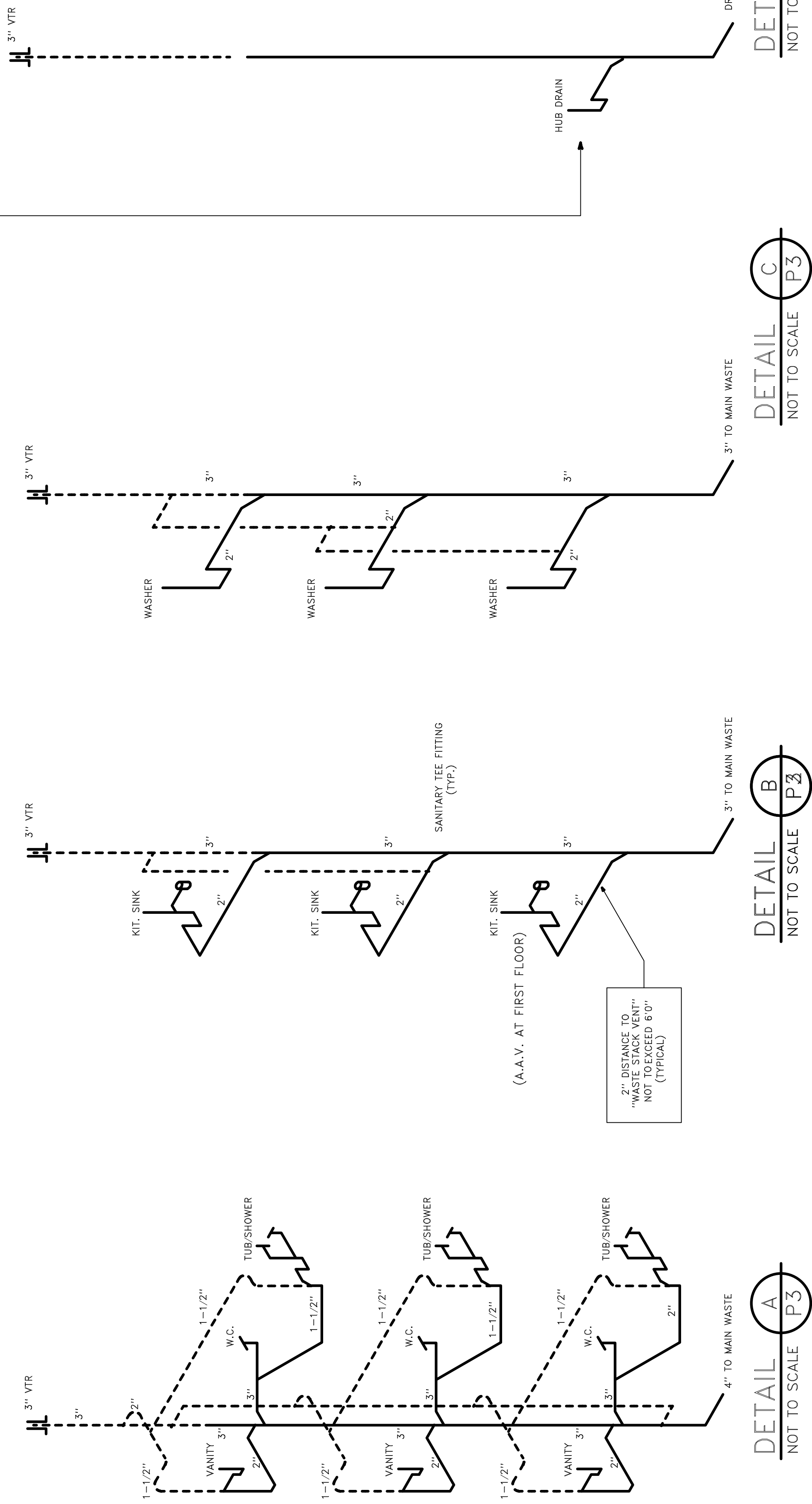
LINE UP INDICATE CONTINUOUS STACK/VENT VENT ONLY LABELED AS "VTR" VENT MAY BE TIED TOGETHER ABOVE HIGHEST FIXTURE AS ALLOWABLE PER BUILDING CODE.

AHU CONDENSATE:
THE CONDENSATE LINE FROM AHU COIL INTO INTO 3" HUB DRAIN W/ 3/4 BELL REDUCER. SEPARATE HUB DRAIN REQUIRED IN EACH APARTMENT UNIT. PROVIDE OVERFLOW PAN EA. UNIT ALL FLOORS PER NC MECHANICAL CODE SEE SECTION 307

THE INTENT OF THESE DRAWINGS IS TO INDICATE IN GENERAL, A DESCRIPTION OF THE PLUMBING SYSTEM FOR THE STRUCTURE. ALL WORK MUST BE INSTALLED IN ACCORDANCE WITH ALL APPLICABLE NATIONAL, STATE AND LOCAL CODES. ALL NECESSARY CONNECTIONS AND EQUIPMENT SHALL PROVIDE A FUNCTIONAL AND OPERABLE PLUMBING SYSTEM.
NOTE:
PLUMBING PLAN AND RISER DIAGRAMS ARE SCHEMATIC.

NOTE: ANTI-SCALD PROTECTION
PROVIDE ANTI-SCALD VALVE AT POINT OF USE ALL FIXTURES WITH HOT WATER FEED.

NOTE:
REFERENCE THE FOLLOWING SECTIONS:
NC BUILDING CODE / IRC
CHAPTER 7 PENETRATIONS: MAINTAINING FIRE RESISTANCE RATINGS



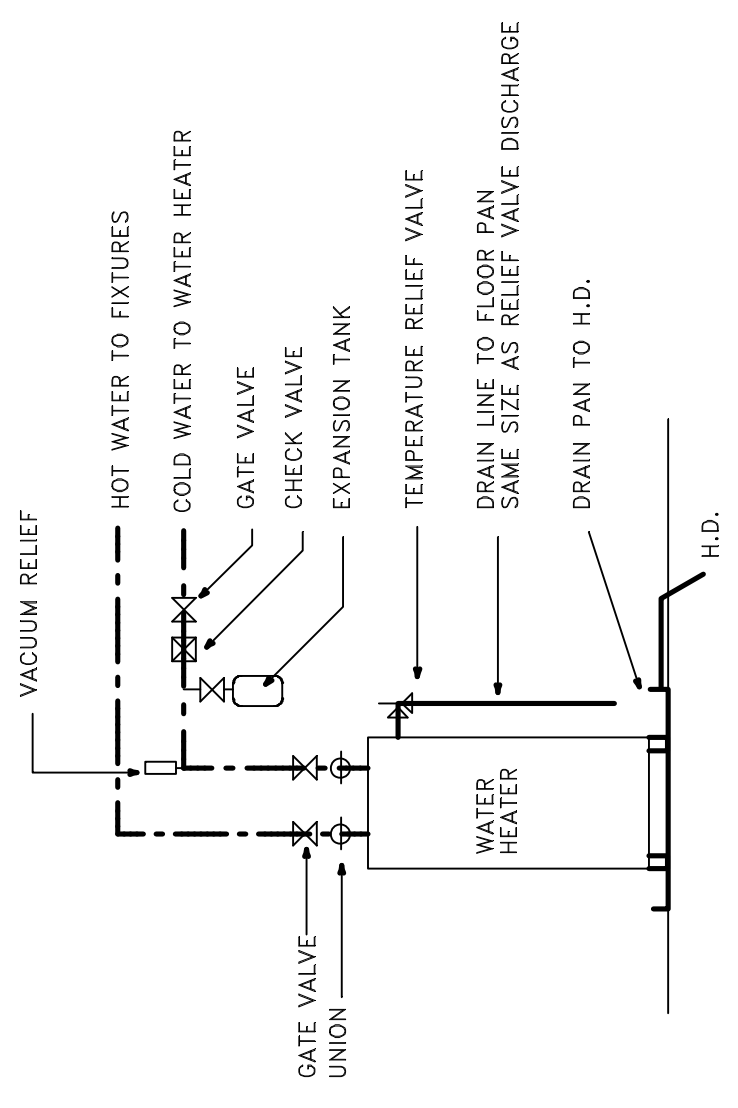
DETAIL A
NOT TO SCALE P-3

DETAIL B
NOT TO SCALE P-3

DETAIL C
NOT TO SCALE P-3

DETAIL D
NOT TO SCALE P-3

WATER HEATER DETAIL A
NOT TO SCALE P-3



THE INTENT OF THESE DRAWINGS IS TO INDICATE IN GENERAL, A DESCRIPTION OF THE PLUMBING SYSTEM FOR THE STRUCTURE. ALL WORK MUST BE INSTALLED IN ACCORDANCE WITH ALL APPLICABLE NATIONAL, STATE AND LOCAL CODES. ALL NECESSARY CONNECTIONS AND EQUIPMENT SHALL PROVIDE A FUNCTIONAL AND OPERABLE PLUMBING SYSTEM.

NOTE:
SHOCK ARRESTORS SHALL BE REQUIRED FOR ALL QUICK CLOSE VALVE APPLICATIONS. THIS WILL INCLUDE THE WASHER, DISHWASHER, AND ICE MAKER.

EXCEPTION: NOT REQUIRED FOR NON-METALLIC PIPE.

RISER DIAGRAMS FOR PLUMBING GROUPS