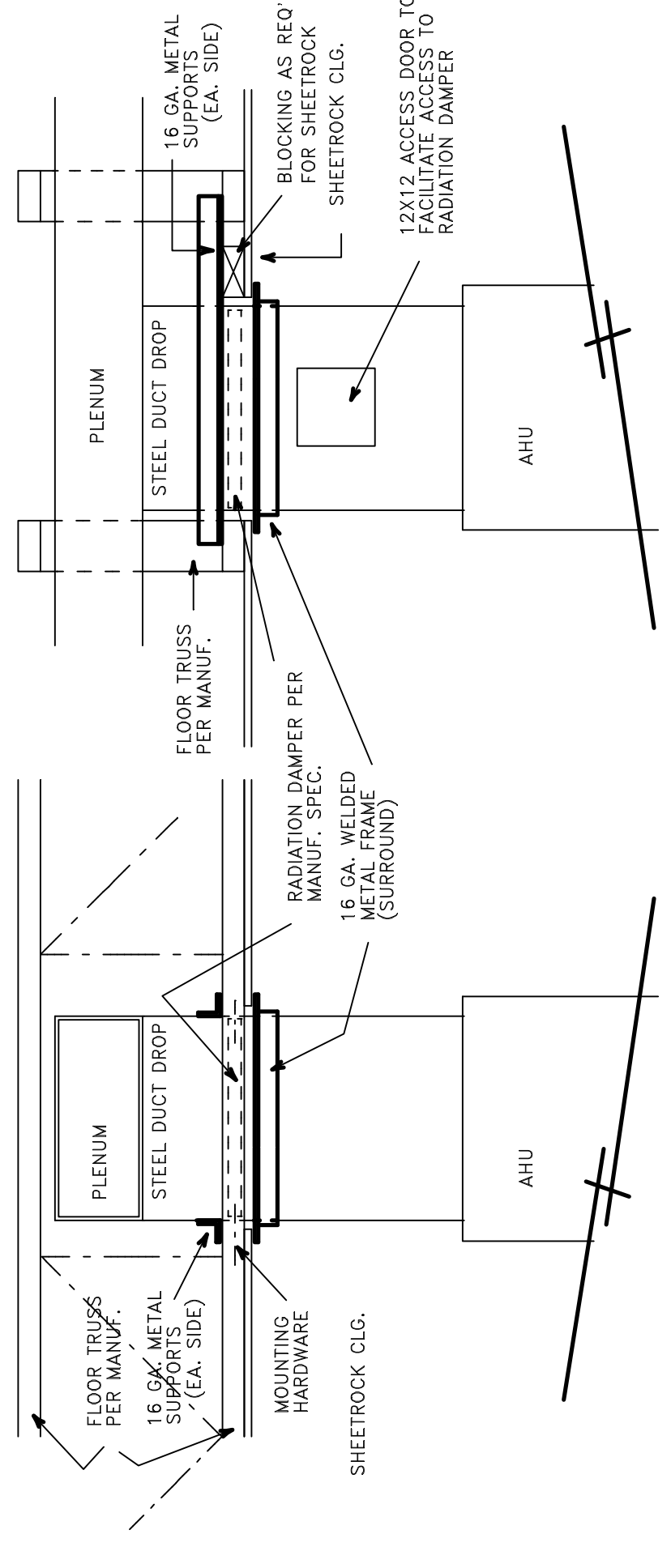


JOB NO.	CMH
DRAWN BY	CMH
CHECKED BY	CMH
DATE	4-22-2010
REVISIONS	
6-30-2010	
8-2-10	

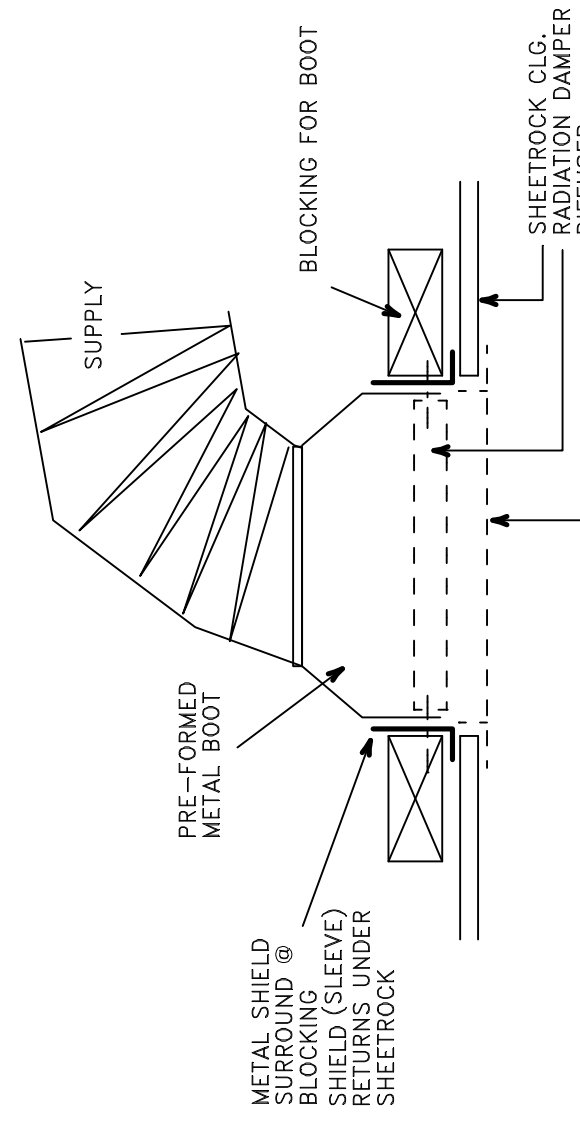
SHEET NO.

M-4



RADIATION DAMPER @ AHU

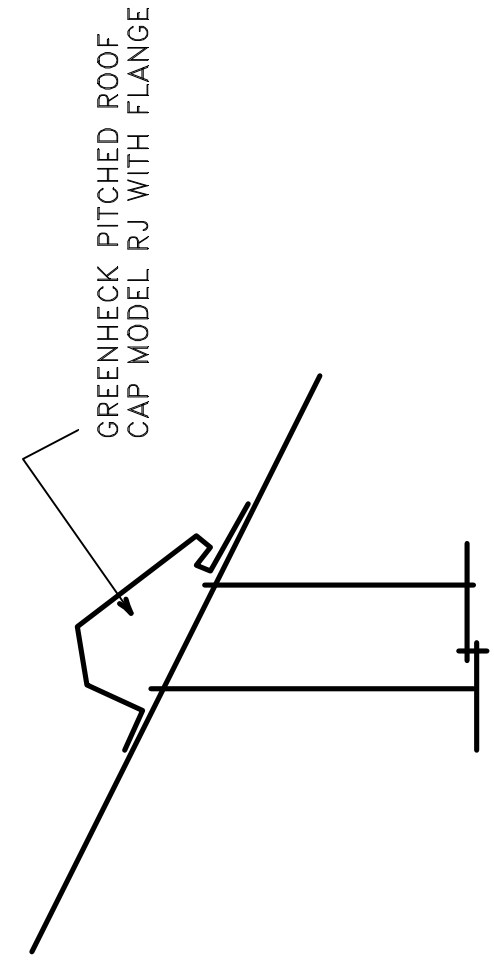
NO SCALE



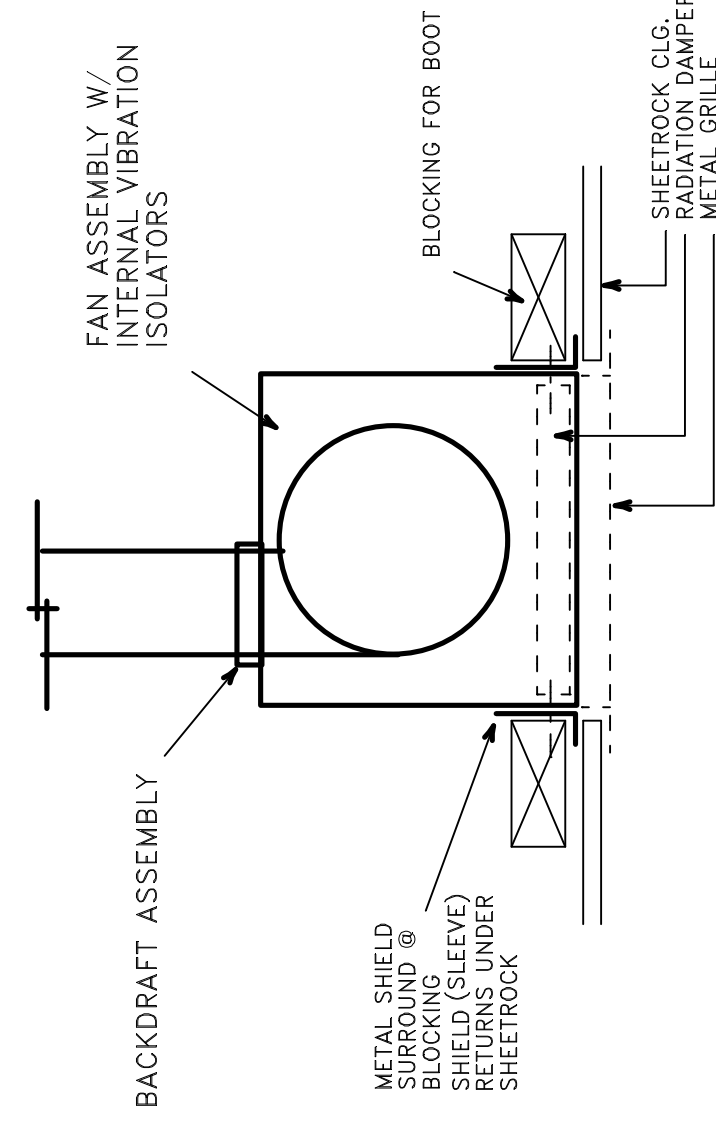
RADIATION DAMPER DETAIL

NO SCALE

BATH FAN INSTALLATION SIMILAR  
DAMPER INSTALLATION SET-UP PER MANUF. SPECIFICATION.  
SLEEVE SHALL BE OF THE SAME OR HEAVIER GAUGE AS THE DUCT TO WHICH IT IS ATTACHED



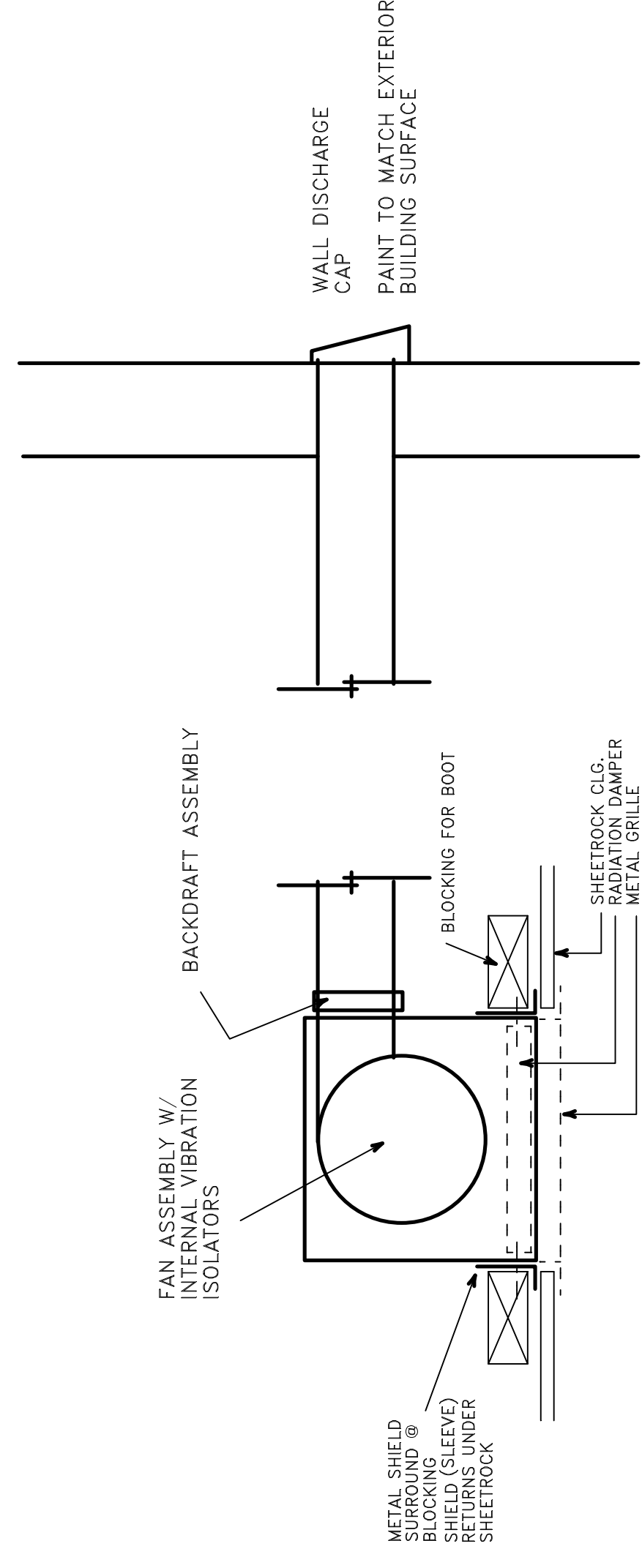
GREENHECK PITCHED ROOF CAP MODEL RJ WITH FLANGE



CEILING MOUNT EXHAUST / ROOF DISCHARGE

NO SCALE

2 M2



CEILING MOUNT EXHAUST / HOR. DISCHARGE

NO SCALE

1 M2