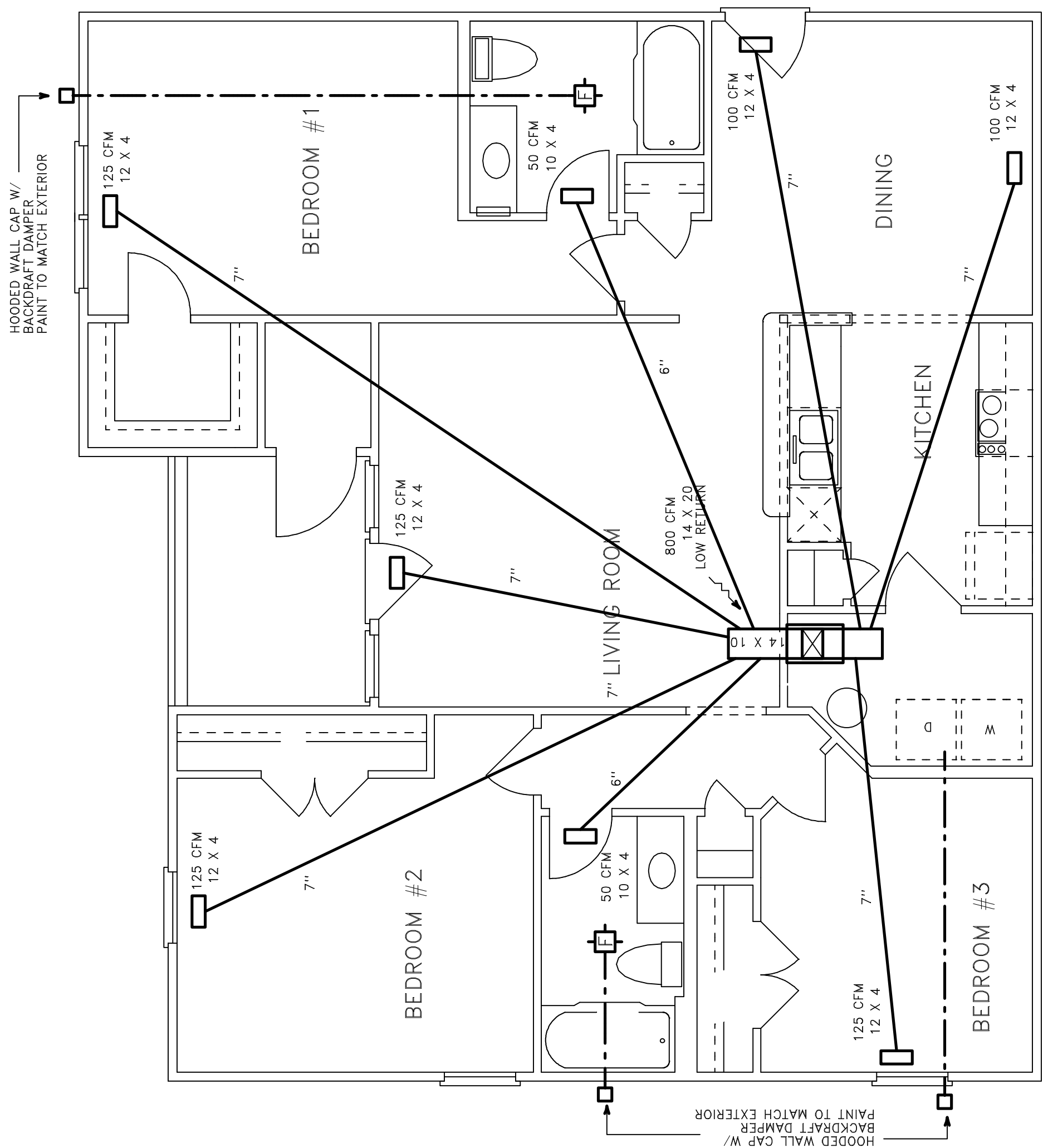


JOB NO.	
DRAWN BY	CMH
CHECKED BY	CMH
DATE	4-22-2010
REVISIONS	
6-30-2010	
8-2-10	

MECHANICAL SCHEMATICS  
3 BEDROOM UNIT



3 BEDROOM UNIT 2ND AND 3RD FLOOR  
EXTERIOR DECK UNIT

Scale: 1/4" = 1'0"

EQUIPMENT SCHEDULE:

3 BEDROOM UNIT APARTMENT	
GOODMAN EQUIPMENT 2 TON HEAT PUMP SPLIT SYSTEM	
HEAT PUMP / CONDENSERS: 1, 0274, 0241, 14.5 SEER, HEAT PUMP	
2' BED / WALL MOUNT AIR HANDLER W/ 8 KW STEEP: AMUJF24	
-OR- EQUAL	
T--STAT: ROBERT SHAW OR EQUAL HEAT PUMP T--STAT.	
<b>FIRST AND SECOND FLOOR / 3 BED UNIT</b>	
TOTAL BTU LOSS: 31,968	
SENSIBLE BTU GAIN: 2,517	
LATENT BTU GAIN: 2,517	
TOTAL BTU GAIN: 20,207	
<b>THIRD FLOOR / 3 BED UNIT</b>	
TOTAL BTU LOSS: 27,120	
SENSIBLE BTU GAIN: 17,690	
LATENT BTU GAIN: 2,517	
TOTAL BTU GAIN: 20,207	
EQUIPMENT SIZING LOADS:	
LATENT SIZING LOAD: 1,150	
INTERNAL LOADS = 230 X 5 PEOPLE: 1,150	
INFILTRATION LOAD: 1,150	
EQUIPMENT SIZING LOAD - LATENT TOTAL: 2,317	

**NOTE: BATH EXHAUST FAN**  
20 CFM CONTINUOUS  
50 CFM INTERMITTENT  
UL 181 HARD PIPE

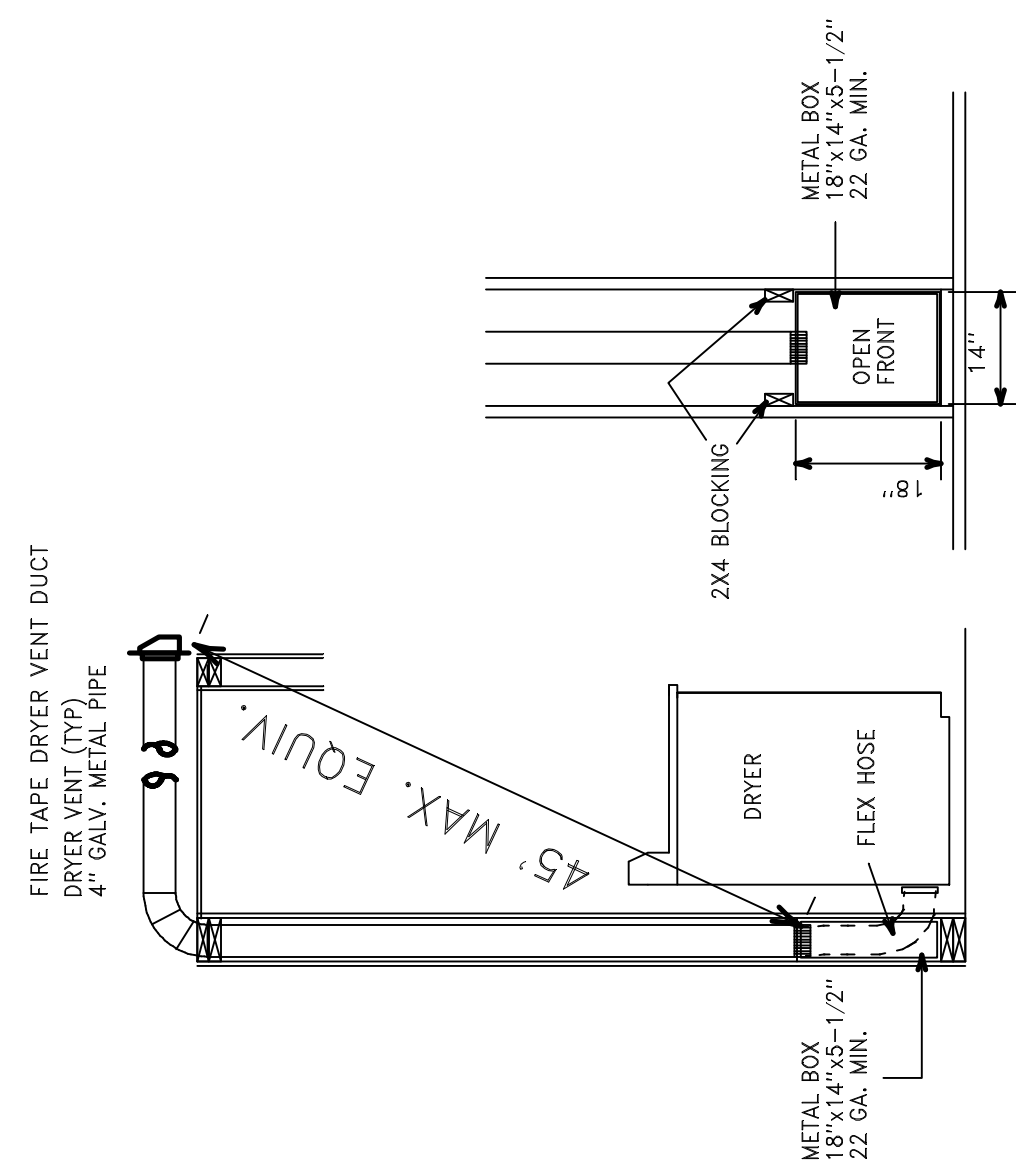
**NOTE: DUCT INSULATION**  
R-8 UNCONDITIONED SPACES  
R-3.3 CONDITIONED SPACES

**AHU CONDENSATE:**  
THE CONDENSATE LINE FROM AHU COIL INTO  
INTO 3" HUB DRAIN W/ 3/4" BELL REDUCER.  
ALL FLOORS  
SEPARATE HUB DRAIN REQUIRED  
PIPE THE HIGH DRAIN OF COIL TO CONSPICUOUS  
LOCATION OUTSIDE THE BUILDING  
PROVIDE OVERFLOW PAN FOR EACH UNIT  
SEE SECTION 307

**NOTE: RADIATION DAMPER REQUIRED @ AHU**  
RADIATION DAMPERS REQUIRED @ ALL  
REGISTERS

PROVIDE 12" X 12" ACCESS DOOR IN SUPPLY DUCT  
ABOVE AHU TO ACCESS RADIATION DAMPER PER  
MANUF. SPECIFICATION.

SEE DETAILS SHEET M-2



DRYER VENT BOX DETAIL

NOT TO SCALE  
DRYER RUN NOT TO EXCEED 45°  
45° BEND = 5' MAX  
45° DEGREE BEND = 5' ADDITION

**NOTE:**  
DRYER VENT (TYP)  
4" GALV. METAL PIPE  
45° BEND REQUIRED  
TERMINATION W/ BACK DRAFT  
DAMPER FLAP

**NOTE:**  
SEE SECTION 504 MAKE-UP AIR  
VS. DRYER MANUF. SPEC.  
PROVIDE 14" X 8" TRANSFER GRILL  
TO EXTERIOR ROOM FOR DRYER  
MAKE-UP AIR