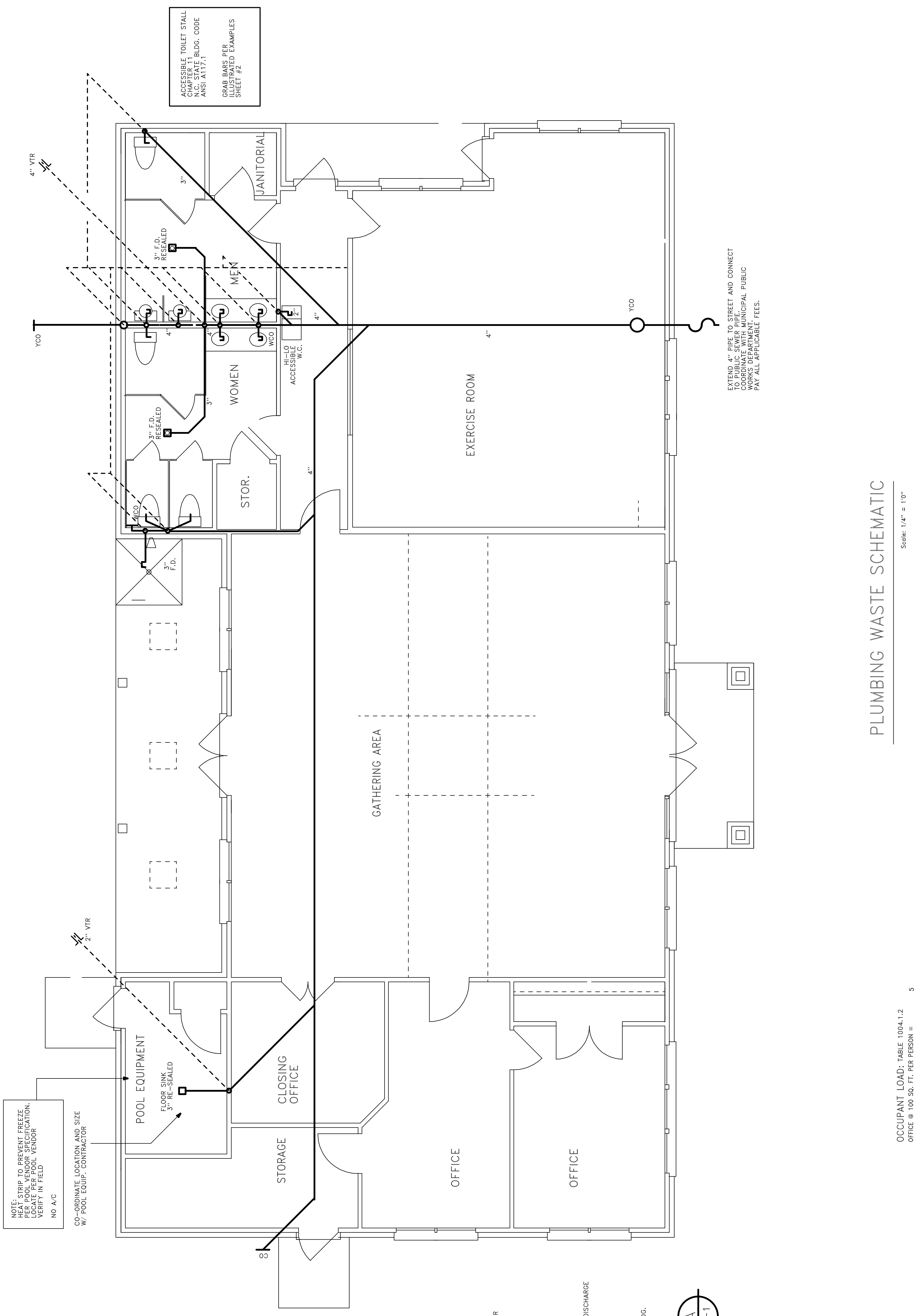


JOB NO.	
DRAWN BY	CMH
CHECKED BY	CMH
DATE	4-22-2010
REVISIONS	
6-30-2010	
8-2-10	

SHEET NO.

ACT-P2



NOTE: -RIP TO PREVENT FREEZE  
PER POOL VENDOR RECOMMENDATION,  
LOCATE PER POOL VENDOR  
NO A/C

CO-ORDINATE LOCATION AND SIZE  
W/ POOL EQUIP. CONTRACTOR

ACCESSIBLE TOILET STALL  
CHAPTER 11 BLDG. CODE  
ANSI A117.1  
GRAB BARS PER  
ILLUSTRATED EXAMPLES  
SHEET #2

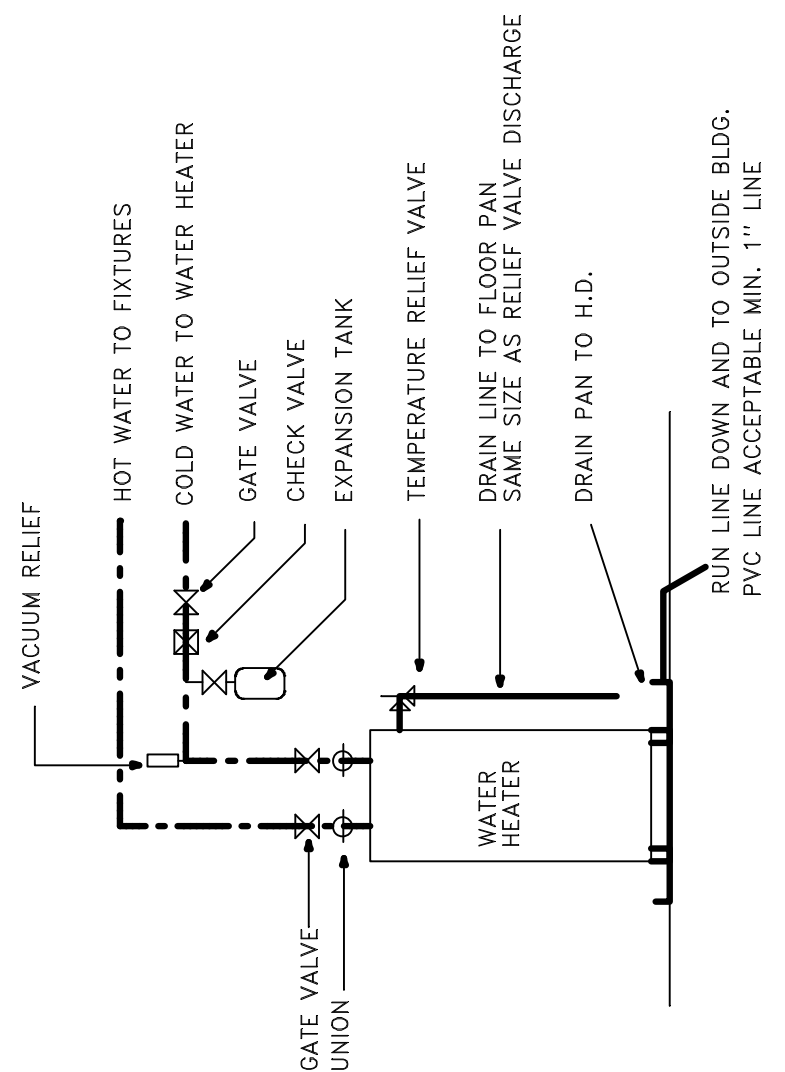
EXTEND 4" PIPE TO STREET AND CONNECT  
TO PUBLIC SEWER PIPE.  
MUNICIPAL PUBLIC  
WORKS DEPARTMENT.  
PAY ALL APPLICABLE FEES.

PLUMBING WASTE SCHEMATIC  
Scale: 1/4" = 1'0"

3116 SQ. FT. FRAME

THE INTENT OF THESE DRAWINGS IS TO INDICATE, IN GENERAL, A DESCRIPTION OF THE  
PLUMBING SYSTEM FOR THE STRUCTURE. ALL WORK MUST BE INSTALLED IN ACCORDANCE  
WITH ALL APPLICABLE CODES, REGULATIONS, AND ORDINANCES. THE CONTRACTOR  
AND EQUIPMENT SHALL PROVIDE A FUNCTIONAL AND OPERABLE PLUMBING SYSTEM.

OCCUPANT LOAD: TABLE 1004.1.2	
OFFICE @ 100 SQ. FT. PER PERSON =	5
SMALL ASSEMBLY @ 15 SQ. FT. PER PERSON =	73
EXERCISE @ 50 SQ. FT. PER PERSON =	14
<b>TOTAL</b>	<b>92 PERSONS</b>
M / 92 X 50% =	46
F / 92 X 50% =	46



WATER HEATER DETAIL A  
NOT TO SCALE  
P-1

LOCATE WATER HEATER IN ATTIC SPACE

NOTE:  
SHOCK ARRESTORS SHALL BE REQUIRED FOR ALL QUICK  
CLOSE VALVE APPLICATIONS;  
THIS WILL INCLUDE THE WASHER, DISHWASHER, AND  
SEC. 604.9 WATER HAMMER 2002 PLUMBING CODE  
EXCEPTION: NOT REQUIRED FOR  
NON-METALLIC PIPE.

NOTE:  
PROVIDE CLEANOUTS ON ALL  
SANITARY CROSS FITTINGS